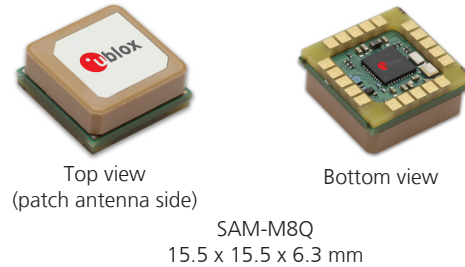


# SAM-M8Q

## u-blox M8 compact GNSS antenna module

### Highlights

- Easy to design-in with no RF expertise required
- Consistently strong performance regardless of installation
- High accuracy thanks to concurrent reception of up to 3 GNSS (GPS, Galileo, GLONASS)
- Tiny form factor 15.5 x 15.5 x 6.3 mm
- Embedded wide-band patch antenna
- Surface-mount device, enabling simple and automated manufacturing



### Product description

SAM-M8Q is the u-blox GNSS patch antenna module that is ideal for easy and reliable GNSS integration. With the exceptional performance of the u-blox M8 concurrent GNSS (GPS, GLONASS, Galileo, QZSS and SBAS) engine, the SAM-M8Q delivers high sensitivity and minimal acquisition times in an ultra compact form factor.

Incorporating the SAM-M8Q module into customer designs is simple and straightforward, thanks to the embedded GNSS patch antenna, low power consumption, simple interface, and sophisticated interference suppression that ensures maximum performance even in GNSS-hostile environments.

The 15 x 15 mm patch antenna provides the best compromise between the performance of a Right Hand Circular Polarized (RHCP) antenna and a small size to be integrated in any design. The omni-directional radiation pattern increases flexibility for device installation. SAM-M8Q's robustness, easy design-in,

surface embedded antenna, and easy interfacing ensure faster time to market and keep design and manufacturing costs to a minimum.

The SAM-M8Q module features an additional front-end LNA for optimized performance and a front-end SAW filter for increased jamming immunity.

The SAM-M8Q module targets industrial and consumer applications that require small, cost efficient, and ready-to-use GNSS solutions. SAM-M8Q is based on the u-blox M8 FW3 engine with cutting-edge performance and additional features not available on any other antenna modules in the market. It also provides message integrity protection, geofencing, spoofing detection, and odometer functionalities.

The SAM-M8Q module uses AEC-Q100 qualified GNSS chips and is fully tested at the system level. Qualification is done according to a subset of ISO16750.

### Product selector

Model	Category	GNSS				Supply	Interfaces				Features				Grade								
	Standard Precision GNSS High Precision GNSS Dead Reckoning Timing	GPS / QZSS	GLONASS	Galileo	BeiDou	Number of Concurrent GNSS	2.7 V – 3.3 V	UART	USB	SPI	DDC (I <sup>2</sup> C compliant)	Programmable (Flash)	Data logging	Additional SAW	Additional LNA	RTC crystal	Oscillator	Built-in antenna	Built-in antenna supply and supervisor	Timepulse	Standard	Professional	Automotive
<b>SAM-M8Q</b>	•	•	•	•		3	•	•			•		•	•	•	T	•		1				

C = Crystal / T = TCXO

## Features

Receiver type	72-channel u-blox M8 engine GPS/QZSS L1 C/A, GLONASS L10F Galileo E1B/C SBAS L1 C/A: WAAS, EGNOS, MSAS, GAGAN	
Max nav. update rate	Single GNSS	up to 18 Hz
	2 Concurrent GNSS	up to 10 Hz
Position accuracy	2.0 m CEP	
Acquisition <sup>1</sup>	Cold start:	26 s
	Aided start:	2 s
	Hot start:	1 s
Sensitivity <sup>1</sup>	Tracking & Navigation: -167 dBm Cold start: -148 dBm Hot start: -157 dBm	
Assistance	AssistNow GNSS Online AssistNow GNSS Offline (up to 35 days) AssistNow Autonomous (up to 3 days) OMA SUPL & 3GPP compliant	
Oscillator	TCXO	
RTC crystal	Built-In	
Noise figure	On-chip LNA and extra LNA for lowest noise figure	
Anti jamming	Active CW detection and removal. Extra onboard SAW band pass filter	
Memory	Onboard ROM	
Raw Data	Code phase output	
Odometer	Integrated in navigation filter	
Geofencing	Up to 4 circular areas GPIO for waking up external CPU	
Spoofing detection	Built-in	
Signal integrity	Signature feature with SHA 256	

<sup>1</sup> Conductive measurement in default mode: GPS/SBAS/QZSS+GLONASS

## Electrical data

Supply voltage	2.7 V to 3.3 V
Digital I/O voltage level	2.7 V to 3.3 V
Power consumption	28 mA @ 3.0 V (Continuous)
(2 concurrent GNSS)	11.5 mA @ 3.0 V (Power Save Mode, 1 Hz)
Backup Supply	1.4 V to 3.6 V

### Legal Notice

u-blox reserves all rights to this document and the information contained herein. Products, names, logos and designs described herein may in whole or in part be subject to intellectual property rights. Reproduction, use, modification or disclosure to third parties of this document or any part thereof without the express permission of u-blox is strictly prohibited.

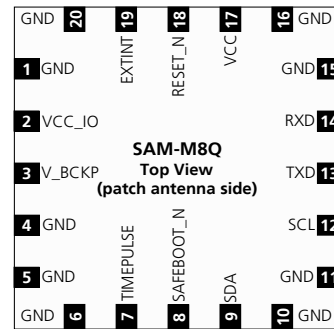
The information contained herein is provided "as is" and u-blox assumes no liability for the use of the information. No warranty, either express or implied, is given, including but not limited, with respect to the accuracy, correctness, reliability and fitness for a particular purpose of the information. This document may be revised by u-blox at any time. For most recent documents, visit [www.u-blox.com](http://www.u-blox.com).

Copyright © 2016, u-blox AG

## Package

20 pin LGA (Land Grid Array): 15.5 x 15.5 x 6.3 mm, 6 g

Pinout



## Environmental data, quality & reliability

Operating temp. -40° C to +85° C

Storage temp. -40° C to +85° C

RoHS compliant (lead-free)

Qualification according to a subset of ISO16750

Uses u-blox M8 chips qualified according to AEC-Q100

## Interfaces

Serial interfaces	1 UART 1 DDC (I <sup>2</sup> C compliant)
Digital I/O	Configurable timepulse 1 EXTINT input for WAKEUP
Timepulse	Configurable 0.25 Hz to 10 MHz
Protocols	NMEA, UBX binary, RTCM

## Support products

u-blox M8 Evaluation Kits:

Easy-to-use kits to get familiar with u-blox M8 positioning technology, evaluate functionality, and visualize GNSS performance.

EVK-M8QSAM u-blox M8 concurrent GNSS evaluation kit, supports SAM-M8Q

## Product variants

SAM-M8Q u-blox concurrent GNSS LGA antenna module, TCXO, SAW, LNA

**ASTONE**  
TECHNOLOGY

41-43, rue Périer 92120

Montrouge France

Tel. : +33(0)1.55.58.04.04

Mail : [contact@astone-technology.com](mailto:contact@astone-technology.com)

Web : [www.astone-technology.com](http://www.astone-technology.com)